



[I-21/193/2024-W&M Section]  
GOVERNMENT OF INDIA/भारत सरकार  
MINISTRY OF CONSUMER AFFAIRS, FOOD AND PUBLIC DISTRIBUTION  
उपभोक्ता मामले, खाद्य एवं सार्वजनिक वितरण मंत्रालय  
DEPARTMENT OF CONSUMER AFFAIRS/ उपभोक्ता मामले विभाग  
LEGAL METROLOGY DIVISION/ विधिक मापविज्ञान प्रभाग

Krishi Bhawan, New Delhi /कृषि भवन, नई दिल्ली  
Dated/दिनांक:- 10.07.2024

Certificate of Approval of Model/ मॉडल का अनुमोदन प्रमाणपत्र

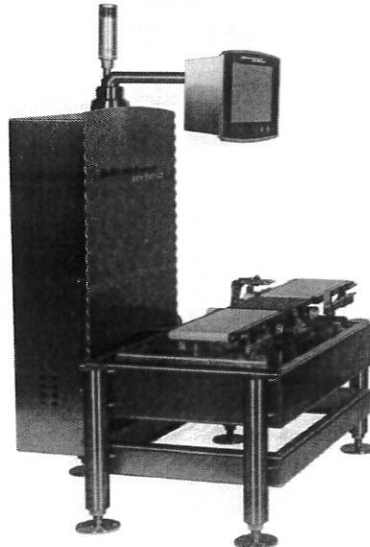
Whereas the Central Government, after considering the report submitted to it by prescribed authority, is satisfied that the model described in the said report (see the figure given below) is in conformity with the provisions of the Legal Metrology Act, 2009 (1 of 2010) and the Legal Metrology (Approval of Models) Rules, 2011 and the said model is likely to maintain its accuracy over periods of sustained use and to render accurate service under varied conditions;

Now, therefore, in exercise of the powers conferred by section 22 of the Legal Metrology Act, 2009 (1 of 2010) read with sub-rule (6) of rule 8 and sub-rule (4) of rule 11 of the Legal Metrology (Approval of Models) Rules, 2011, as per OIML R 51, the Central Government hereby issues the certificate of approval of the model of automatic catch weighing instrument (check weigher) belonging to accuracy class XII(x), where x=1 of series "Flexus" and with brand name "Minebea Intec" (hereafter in referred to as the said model), manufactured by M/s Minebea Intec Aachen GmbH & Co. KG Am Gut Wolf 11, D-52070, Aachen, Germany imported & marketed in India without any alteration before or after sale by M/s Minebea Intec India Private Limited, 26-D, Phase-II, KIADB Industrial Area, Peenya Bengaluru Urban-560058, Karnataka and which is assigned the approval mark IND/09/24/326 (the picture of the model is given below as Figure 1);

**Technical Data:**

Type of instrument	Automatic Catch Weighing Instrument(check weigher)
Procedure Adopted for testing & Conformity	OIML R 51
Working Principle	Electronic and EMFC based load cell
Accuracy class	XII(x), where x=1,
Maximum capacity	1000 g
Minimum capacity	2 g
Scale interval (e)	0.1 g
Belt Speed	Up to 20m per minute, Checking frequency upto 45ppm
Power Supply	230 V AC/ 24 V DC
Display	Thin Film Transistor (TFT) Colour based Liquid crystal display (LCD)

Figure 1



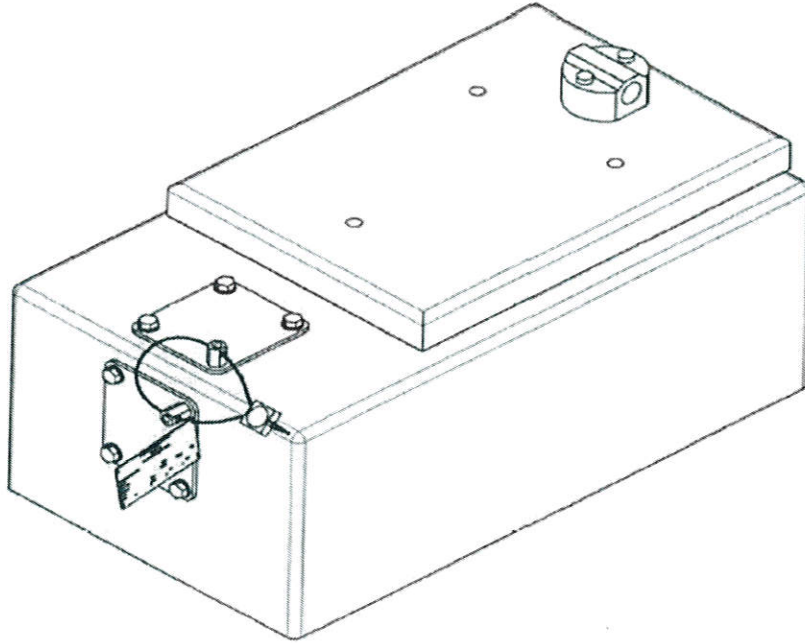


Figure 2

The mechanical sealing is done on the weigh cell using a plate and stud or screw with holes provided through which the locking seal wire can be inserted and sealed with lead. A typical schematic diagram of sealing provision to prevent the fraudulent practices of the model is given above as Figure 2. A dip switch has also been provided in the motherboard/PCB to disable access to external calibration.

[F.No. I-21/193/2024-W&M Section]

*Ashutosh Agarwal*

(Ashutosh Agarwal/आशुतोष अग्रवाल)

Director (Legal Metrology) to Govt. of India/ निदेशक (विधिक माप विज्ञान) भारत सरकार

Phone/दूरभाष 01123389489

Email/ई-मेल: [dirwm-ca@nic.in](mailto:dirwm-ca@nic.in)

Online Application No. 13914